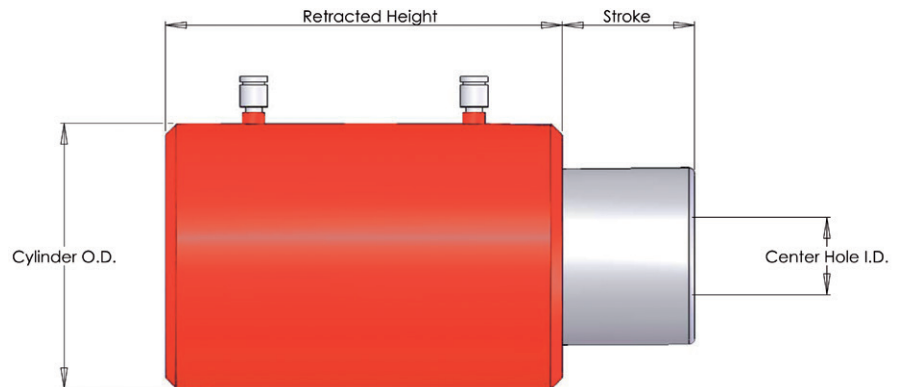


## Hollow Ram Hydraulic Jack

- **GSS Titan** offers a variety of Hollow-Ram Jacks for stressing Strand Anchors.
- Sizes range from 100 Ton to 2200 Ton+.
- Calibrated Kits for rent include Jacks, Hydraulic Power Packs, Guages and Hoses.
- Please call us and allow us to assist you with your specific requirements.

## Hollow Ram Hydraulic Jack Details



## Stressing Jacks table

Model Number	Usage (No. of Strands)	Stroke	Ram Area (inch <sup>2</sup> )	Maximum Load @ 10,000 PSI	Center Hole I.D.	Cylinder O.D.	Height Collapsed	Material	Weight (lbs.)
GSS-CBJ-3	1	3.0"	5.0"	25 TONS	0.70"	4.25"	8.00"	ALUM	10
GSS-25-8	1	8.0"	5.0"	25 TONS	0.70"	4.50"	13.00"	ALUM	20
GSS-50	Titan	4.0"	10.3"	50 TONS	2.12"	7.50"	9.50"	ALUM	40
GSS-100	4	6.0"	21.0"	100 TONS	2.00"	7.00"	12.50"	ALUM	90
GSS-100	4	8.0"	21.0"	100 TONS	3.50"	10.00"	16.00"	ALUM	120
GSS-120	5	8.0"	24.3"	120 TONS	3.50"	9.50"	14.00"	ALUM	80
GSS-150	6	8.0"	30.0"	150 TONS	3.50"	10.00"	15.00"	ALUM	125
GSS-150	6	10.0"	29.5"	150 TONS	3.50"	12.00"	19.00"	ALUM	225
GSS-200	7	8.0"	40.0"	200 TONS	3.50"	11.00"	17.00"	STEEL	335
GSS-200	7	9.5"	40.0"	200 TONS	3.50"	12.00"	19.00"	ALUM	200
GSS-200	9	9.5"	40.0"	200 TONS	4.50"	11.50"	21.00"	STEEL	450
GSS-300	12	18.0"	60.0"	300 TONS	5.25"	14.00"	27.50"	STEEL	875
GSS-300	12	18.0"	60.0"	300 TONS	5.25"	14.00"	34.00"	STEEL	1,350
GSS-500	15	14.0"	110.0"	500 TONS	8.00"	20.00"	27.50"	STEEL	1,830
GSS-800	27	14.0"	160.0"	800 TONS	9.50"	26.50"	32.50"	STEEL	3,600
GSS-2200	92	35.0"	440.0"	2,200 TONS	16.00"	38.50"	55.00"	STEEL	13,000